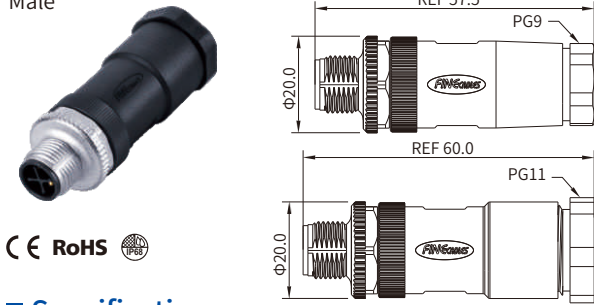


M12 S-coding (Power AC)

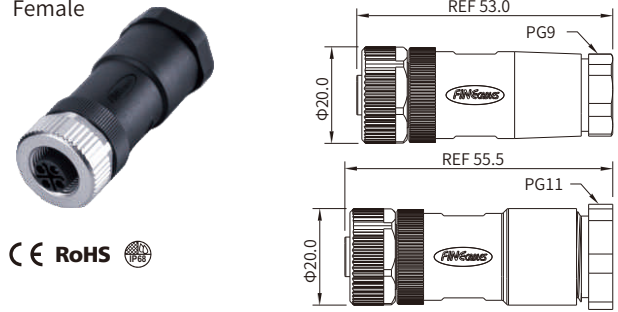


M12 S-coding Straight Connector, Field Wirable Assembly, Screw joint

Male



Female



Specifications

Contacts	3(2+PE)	4(3+PE)
Pin layout(Male)		
Pin layout(Female)		
Standard	IEC 61076-2-111	
Ambient temperature	-25°C~+90°C	
Connector insert	PA	
Connector contacts	Brass with gold plated	
Connector body	PA+GF	
Coupling nut/screw	Zinc alloy with nickel plated	
Seal/O-ring	FKM	
Insulation resistance	≥100MΩ	
Contact resistance	≤5mΩ	
Shielding	Unavailable	
Suitable cable Dia	PG9: 6~8mm / PG11: 8~10mm	
IP rating	IP67, IP68 in locked condition	
Mating endurance	>500 cycles	
Rated current	12 A(40°C)	
Rated voltage	630V AC/DC	
Wire gauge	1.5mm²(AWG16)	

Part Number

Pins	Male		Female	
	PG9	PG11	PG9	PG11
2+PE	MB12MWSFHD03ST	/	MB12FWSFHD03ST	/
3+PE	/	MB12MWSFHD04ST	/	MB12FWSFHD04ST

Assembly Instruction

